

PART NAME	NON-METALLIC ENCLOSURE (STYLE B)	PART No.	NBB-10240 & NBB-10260 & NBB-15240 & NBB-22240	REV. DATE	6-26-07
-----------	----------------------------------	----------	---	-----------	---------

MATERIAL:

UL LISTED INDOOR VERSION
 SOLID BODY & COVER _____ ABS/PC BLENDED PLASTIC
 UL94-5VB FLAMMABILITY RATING

CLEAR COVER _____ POLYCARBONATE PLASTIC
 UL94V-0 FLAMMABILITY RATING
 UV STABILIZED

UL LISTED OUTDOOR VERSION
 SOLID BODY & COVER _____ PBT/PC BLENDED PLASTIC
 UL94-5VA FLAMMABILITY RATING
 UV STABILIZED

ABS VERSION
 SOLID BODY & COVER _____ ABS
 UL94-HB FLAMMABILITY RATING

ALL VERSIONS
 GASKET _____ MODIFIED POLYURETHANE

FINISH:
 BODY _____ LIGHT GRAY
 COVER _____ LIGHT GRAY OR CLEAR

LATCHES & HINGES _____ NON-METALLIC
 WALL MOUNTING BRACKETS _____ STAINLESS STEEL

NOTE: UNIT COMES COMPLETE WITH (4) WALL MOUNTING BRACKETS & (4) M4 x 8mm LG. TRUSS HD. MACHINE SCREWS (NOT SHOWN)

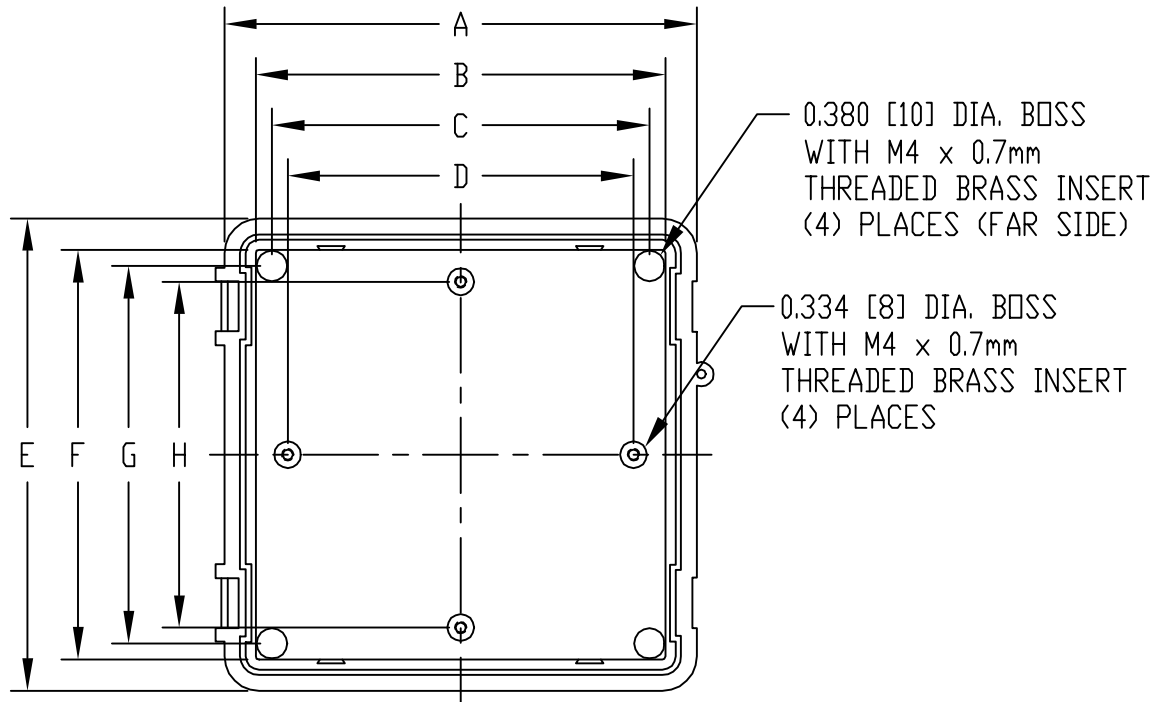
COVER INCLUDES GRAY POLYURETHANE GASKET.

INDUSTRY STANDARDS:

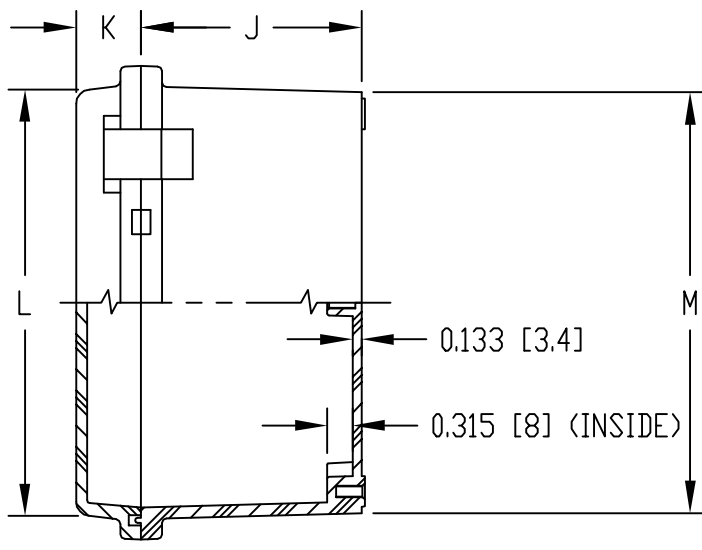
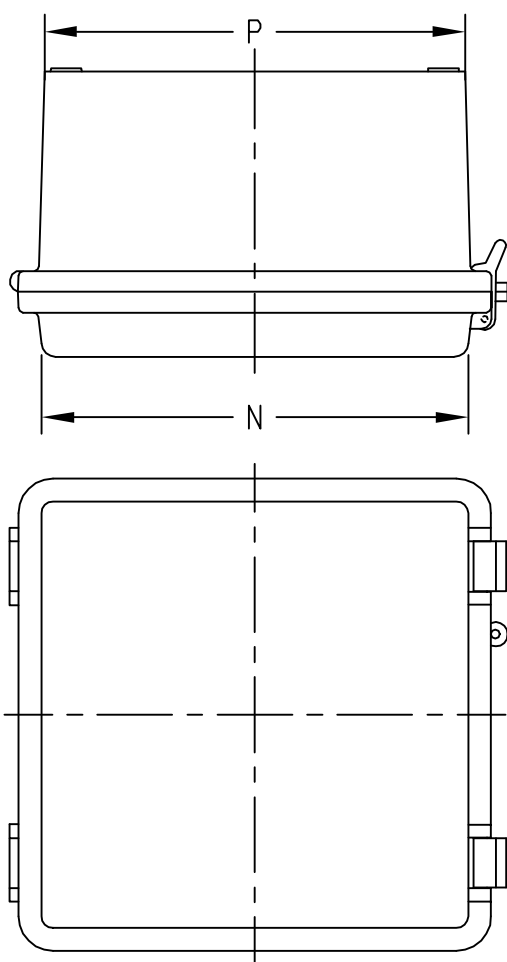
UL LISTED INDOOR VERSION
 UL508 TYPE 1, 2, 3, 3R, 4, 4X INDOOR, 12 & 13
 NEMA TYPE 1, 2, 3, 3R, 4, 4X, 12 & 13
 IEC529-IP65

UL LISTED OUTDOOR VERSION
 UL508 TYPE 1, 2, 3, 3R, 4, 4X, 12 & 13
 NEMA TYPE 1, 2, 3, 3R, 4, 4X, 12 & 13
 IEC529-IP65

ABS VERSION
 NEMA TYPE 1, 2, 3, 3R, 4, 4X, 12 & 13
 IEC529-IP65



VIEW LESS COVER



DIMENSIONS = INCHES [MILLIMETERS]

NOTE: ALL DIMENSIONS HAVE ±0.039 [±1] TOLERANCE UNLESS OTHERWISE SPECIFIED

AIR AND MOISTURE VENTS AND GALVANIZED STEEL INTERNAL PANEL ARE NOT INCLUDED, BUT CAN BE PURCHASED SEPARATELY.

UL LISTED INDOOR VERSION		UL LISTED OUTDOOR VERSION	ABS VERSION	DIMENSIONS													
PART NO.		PART NO.	PART NO.	A	B	C	D	E	F	G	H	J	K	L	M	N	P
SOLID COVER	CLEAR COVER	SOLID COVER	SOLID COVER	5.904	5.040	4.715	4.322	5.904	5.040	4.715	4.322	2.753	0.815	5.330	5.255	5.330	5.255
NBB-10240	NBB-10260	NBB-15240	NBB-22240	[150]	[128]	[120]	[110]	[150]	[128]	[120]	[110]	[70]	[21]	[135]	[133]	[135]	[133]